



Single Model

Distributed By



Line Pressure Regulators

CSA 6.22

Master Distributor for



Over Pressure Device (OPD) Model

Governor Series Regulators



Single Model
Inlet Pressure Range: 3" W.C. to 2 PSI



Over Pressure Device (OPD) Model
Inlet Pressure Range: 3" W.C. to 2 PSI

Introduction

The GOVERNOR line of gas regulators are designed to comply with the latest CSA and international standards for regulators suitable for indoor and outdoor installations with no modifications.

The GOVERNOR family of regulators are ideal for a wide range of residential through large industrial applications. The materials and soft parts used in the construction of the GOVERNOR regulators make them suitable for use with natural gas, LPG, Propane air and other non-corrosive gases.

All GOVERNOR regulators are equipped with balanced valve design for improved high outlet pressure accuracy regardless of Inlet pressure variation. The double diaphragm with integral vent limiter provides added security.

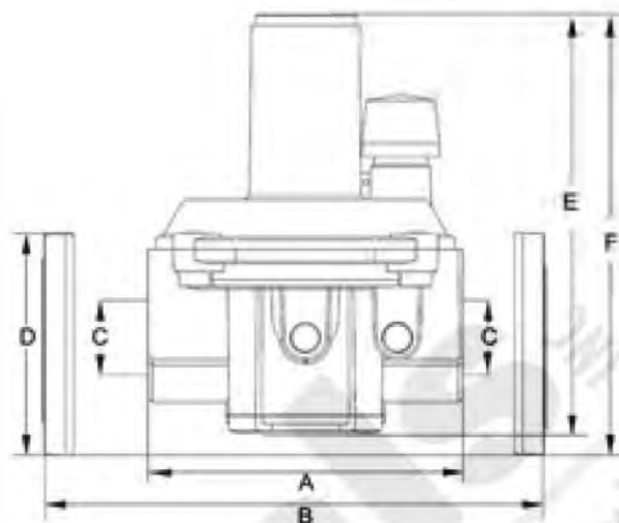
The external vent limiter reduces piping costs and the need for costly vent piping for indoor installations and complies with CSA guidelines.* The number of high capacities and regulator options sometimes eliminates the need for separate

Safe, Reliable and High Performance

- **Internal vent limiter: non removable, for indoor and outdoor installations**
- **External vent limiter option for indoor installations.**
- **Double diaphragm for added safety and greater reliability of service**
- **Balanced valve design allows increased capacity, high 500:1 turndown and stable regulation from low to high flow.**
- **Complete lockup in absence of gas flow, bubble tight shutoff.**

*As Approved by Local Codes and Standards

Governor Single Regulators



Main Features

- CSA 6.22a-2005 ANSI Z21.80A2005 Class I for outlet pressures up to 14" W.C. Certified
- Integral Vent Limiter
- External Vent Limiter — no vent line required*
- Positive dead-end lockup
- Inlet and Outlet test ports
- 500 to 1 Turndown
- Minimum ΔP - 1" W.C.

Specifications

- Suitable for use with Natural Gas, LPG, and other non corrosive, clean gas
- Inlet Pressure: 3" W.C. to 2 PSIG
- Max. Inlet 7.25 PSIG for non-CSA applications
- Outlet pressure: 2" W.C. to 14" W.C. and up to 4.25 PSIG for non-CSA applications
- Temperature range: -40°F to 150°F
- Connections: 1/2" thru 4"
- Maximum Emergency Inlet Exposure Pressure: 80 PSIG
- Suitable for Indoor or Outdoor Installation

*As Approved by Local Codes and Standards

DIMENSIONS (IN INCHES)

| Model # | Size | A | B | C | D | E | F | Weight (Lbs) |
|----------|------------|------|------|-------|----------|-------|-------|--------------|
| F30051 | 1/2" NPT | 4.12 | - | 1/2 | - | 5.59 | - | 1.54 |
| F30052 | 3/4" NPT | 4 | - | 3/4 | - | 5.59 | - | 1.54 |
| F30053 | 1" NPT | 4 | - | 1 | - | 5.59 | - | 1.54 |
| F30150 | 1/2" NPT | 5.43 | - | 1/2 | - | 6.89 | - | 2.75 |
| F30151 | 3/4" NPT | 5.28 | - | 3/4 | - | 6.89 | - | 2.75 |
| F30152 | 1" NPT | 5.28 | - | 1 | - | 6.89 | - | 2.75 |
| F30153 | 1-1/4" NPT | 7.64 | - | 1-1/4 | - | 10 | - | 7.5 |
| F30154 | 1-1/2" NPT | 7.64 | - | 1-1/2 | - | 10 | - | 7.5 |
| F30155 | 2" NPT | 9.29 | - | 2 | - | 12.44 | 13.74 | 12.34 |
| F30157/F | 3" FL | - | 16.9 | 3 | ANSI 150 | - | 17.09 | 27.56 |
| F30158/F | 4" FL | - | 16.9 | 4 | ANSI 150 | - | 19.8 | 27.56 |



Natural Gas Capacities

Cubic Feet per Hour (CFH) .60 Specific Gravity

| Model | Set Point | Operating Inlet Pressure | | |
|-------------|-----------|--------------------------|--------|--------|
| | | 14" W.C. | 1 PSI | 2 PSI |
| F30051 ½" | 8" W.C. | 386 | 635 | 928 |
| | 11" W.C. | 297 | 628 | 928 |
| F30052 ¾" | 8" W.C. | 386 | 848 | 1,155 |
| | 11" W.C. | 297 | 778 | 1,155 |
| F30053 1" | 8" W.C. | 386 | 1,059 | 1,501 |
| | 11" W.C. | 297 | 974 | 1,501 |
| F30150 ½" | 8" W.C. | 891 | 1,695 | 2,205 |
| | 11" W.C. | 656 | 1,471 | 2,205 |
| F30151 ¾" | 8" W.C. | 1,125 | 2,084 | 2,785 |
| | 11" W.C. | 829 | 1,858 | 2,785 |
| F30152 1" | 8" W.C. | 1,337 | 2,437 | 3,308 |
| | 11" W.C. | 985 | 2,206 | 3,308 |
| F30153 1¼" | 8" W.C. | 3,189 | 5,297 | 7,891 |
| | 11" W.C. | 2,349 | 5,264 | 7,891 |
| F30154 1½" | 8" W.C. | 3,330 | 5,650 | 8,240 |
| | 11" W.C. | 2,453 | 5,496 | 8,240 |
| F30155 2" | 8" W.C. | 6,097 | 10,947 | 15,087 |
| | 11" W.C. | 4,491 | 10,064 | 15,087 |
| F30157/F 3" | 8" W.C. | 9,676 | 16,810 | 23,202 |
| | 11" W.C. | 7,451 | 15,715 | 23,202 |
| F30158/F 4" | 8" W.C. | 16,951 | 29,452 | 40,612 |
| | 11" w.c. | 13,066 | 27,545 | 40,612 |

| Standard Outlet Spring Range | |
|---------------------------------|--|
| Green | 2.0" w.c. to 5.1" w.c.* |
| Red | 2.7" w.c. to 7.9" w.c.* |
| White | 4.0" w.c. to 11.8" w.c.* |
| Black | 6.0" w.c. to 14" w.c.* |
| Yellow | 9.8" w.c. to 27.5" w.c. |
| Violet | 23.6" w.c. to 59" w.c. (0.85 to 2.13 PSI) |
| Orange | 55" w.c. to 118" w.c. (2 to 4.26 PSIG) |
| * CSA outlet pressure certified | |



Propane Gas Capacities

BTU/Hr (1.50 Specific Gravity)

| Model | Set Point | Operating Inlet Pressure | | |
|----------------------------|-----------|--------------------------|------------|------------|
| | | 14" W.C. | 1 PSI | 2 PSI |
| F30051 ½" | 8" W.C. | 607,950 | 1,000,125 | 1,461,600 |
| | 11" W.C. | 467,775 | 989,100 | 1,461,600 |
| F30052 ¾" | 8" W.C. | 607,950 | 1,335,600 | 1,819,125 |
| | 11" W.C. | 467,775 | 1,225,350 | 1,819,125 |
| F30053 1" | 8" W.C. | 607,950 | 1,667,925 | 2,364,075 |
| | 11" W.C. | 467,775 | 1,534,050 | 2,364,075 |
| F30150 ½" High Capacity | 8" W.C. | 1,403,325 | 2,669,625 | 3,472,875 |
| | 11" W.C. | 1,033,200 | 2,316,825 | 3,472,875 |
| F30151 ¾" High Capacity | 8" W.C. | 1,771,875 | 3,282,300 | 4,386,375 |
| | 11" W.C. | 1,305,675 | 2,926,350 | 4,386,375 |
| F30152 1" High Capacity | 8" W.C. | 2,105,775 | 3,838,275 | 5,210,100 |
| | 11" W.C. | 1,551,375 | 3,474,450 | 5,210,100 |
| F30153 1¼" | 8" W.C. | 5,022,675 | 8,342,775 | 12,428,325 |
| | 11" W.C. | 3,699,675 | 8,290,800 | 12,428,325 |
| F30154 1½" | 8" W.C. | 5,244,750 | 8,898,750 | 12,978,000 |
| | 11" W.C. | 3,863,475 | 8,656,200 | 12,978,000 |
| F30155 2" | 8" W.C. | 9,602,775 | 17,241,525 | 23,762,025 |
| | 11" W.C. | 7,073,325 | 15,850,800 | 23,762,025 |
| F30157/F 3" | 8" W.C. | 15,239,700 | 26,475,750 | 36,543,150 |
| | 11" W.C. | 11,735,325 | 24,751,125 | 36,543,150 |
| F30158/F 4" | 8" W.C. | 26,697,825 | 46,386,900 | 63,963,900 |
| | 11" W.C. | 20,578,950 | 43,383,375 | 63,963,900 |

| Standard Outlet Spring Range | |
|---------------------------------|--|
| Green | 2.0" w.c. to 5.1" w.c.* |
| Red | 2.7" w.c. to 7.9" w.c.* |
| White | 4.0" w.c. to 11.8" w.c.* |
| Black | 6.0" w.c. to 14" w.c.* |
| Yellow | 9.8" w.c. to 27.5" w.c. |
| Violet | 23.6" w.c. to 59" w.c. (0.85 to 2.13 PSI) |
| Orange | 55" w.c. to 118" w.c. (2 to 4.26 PSIG) |
| * CSA outlet pressure certified | |

Governor OPD* Regulators

*(Over Pressure Device)

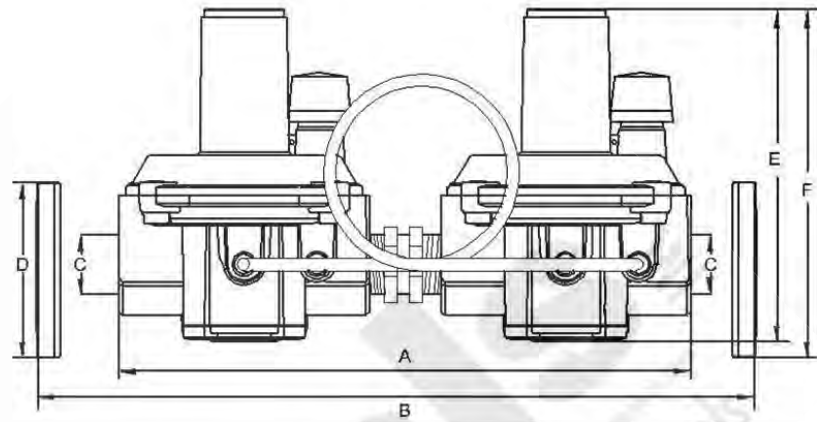


Main Features

- CSA Certified to ANSI Z21.80A2005
- CSA Certified 6.22a-2005 Class I for outlet pressures up to 14" W.C. and inlet pressures up to 5 PSIG
- CSA Certified 6.22a-2005 Class II for outlet pressures up to 1 PSIG and inlet pressures up to 5 PSIG
- Integral Vent Limiter
- External Vent Limiter - no vent line required*
- Positive dead-end lockup
- Inlet and Outlet test ports
- 500:1 Turndown

Specifications

- Suitable for use with Natural Gas, LPG, and other non-corrosive clean gas
 - Inlet Pressure: 7" W.C. to 5 PSIG
 - Max. Inlet 7.25 PSIG for non-CSA applications
 - Temperature range: -40°F to 150°F
 - Connections: 1/2" thru 2"
 - Maximum Emergency Inlet Exposure Pressure 80 PSIG
 - Suitable for Indoor or Outdoor Installation
- *As Approved by Local Codes and Standards



| DIMENSIONS (IN INCHES) | | | | | | | | |
|------------------------|------------|-------|-------|-------|----------|-------|-------|--------------|
| Model # | Size | A | B | C | D | E | F | Weight (Lbs) |
| F30051DC | 1/2" NPT | 8.86 | - | 1/2 | - | 5.59 | - | 3.25 |
| F30052DC | 3/4" NPT | 8.86 | - | 3/4 | - | 5.59 | - | 3.25 |
| F30053DC | 1" NPT | 8.86 | - | 1 | - | 5.59 | - | 3.25 |
| F30150DC | 1/2" NPT | 11.22 | - | 1/2 | - | 6.89 | - | 5.75 |
| F30151DC | 3/4" NPT | 11.22 | - | 3/4 | - | 6.89 | - | 5.75 |
| F30152DC | 1" NPT | 11.22 | - | 1 | - | 6.89 | - | 5.75 |
| F30153DC | 1-1/4" NPT | 16.61 | - | 1-1/4 | - | 10 | - | 15.5 |
| F30154DC | 1/2" NPT | 16.61 | - | 1-1/2 | - | 10 | - | 15.5 |
| F30155DC | 2" NPT | 19.88 | - | 2 | - | 12.44 | 13.74 | 25 |
| F31157F | 3" FL | - | 33.93 | 3 | ANSI 150 | - | 17.09 | 56 |
| F31158F | 4" FL | - | 33.93 | 4 | ANSI 150 | - | 19.8 | 56 |

Natural Gas Capacities

Cubic Feet per Hour (CFH) .60 Specific Gravity



| Model | Set Point | Operating Inlet Pressure | | |
|------------------------------|-----------|--------------------------|--------|--------|
| | | 1 PSI | 2 PSI | 5 PSI |
| F30051DC ½" | 8" W.C. | 635 | 928 | 928 |
| | 11" W.C. | 628 | 928 | 928 |
| | 14" W.C. | 558 | 928 | 928 |
| F30052DC ¾" | 8" W.C. | 848 | 1,115 | 1,115 |
| | 11" W.C. | 778 | 1,115 | 1,115 |
| | 14" W.C. | 698 | 1,115 | 1,115 |
| F30053DC 1" | 8" W.C. | 1,059 | 1,501 | 1,501 |
| | 11" W.C. | 974 | 1,501 | 1,501 |
| | 14" W.C. | 906 | 1,501 | 1,501 |
| F30150DC ½" High Capacity | 8" W.C. | 1,695 | 2,205 | 2,205 |
| | 11" W.C. | 1,471 | 2,205 | 2,205 |
| | 14" W.C. | 1,325 | 2,205 | 2,205 |
| F30151 ¾" High Capacity | 8" W.C. | 2,084 | 2,785 | 2,785 |
| | 11" W.C. | 1,858 | 2,785 | 2,785 |
| | 14" W.C. | 1,674 | 2,785 | 2,785 |
| F30152DC 1" High Capacity | 8" W.C. | 2,437 | 3,308 | 3,308 |
| | 11" W.C. | 2,206 | 3,308 | 3,308 |
| | 14" W.C. | 1,988 | 3,308 | 3,308 |
| F30153DC 1 ¼" | 8" W.C. | 5,297 | 7,891 | 7,891 |
| | 11" W.C. | 5,264 | 7,891 | 7,891 |
| | 14" W.C. | 4,743 | 7,891 | 7,891 |
| F30154DC 1 ½" | 8" W.C. | 5,650 | 8,240 | 8,240 |
| | 11" W.C. | 5,496 | 8,240 | 8,240 |
| | 14" W.C. | 4,952 | 8,240 | 8,240 |
| F30155DC 2" | 8" W.C. | 19,947 | 15,087 | 15,087 |
| | 11" W.C. | 10,064 | 15,087 | 15,087 |
| | 14" W.C. | 9,068 | 15,087 | 15,087 |
| F31157F 3" | 8" W.C. | 16,810 | 23,202 | 23,202 |
| | 11" W.C. | 15,715 | 23,202 | 23,202 |
| | 14" W.C. | 13,768 | 23,202 | 23,202 |
| F31158F 4" | 8" W.C. | 29,452 | 40,612 | 40,612 |
| | 11" W.C. | 27,545 | 40,612 | 40,612 |
| | 14" W.C. | 24,094 | 40,612 | 40,612 |

| Standard Outlet Spring Range | |
|---------------------------------|--|
| Green | 2.0" w.c. to 5.1" w.c.* |
| Red | 2.7" w.c. to 7.9" w.c.* |
| White | 4.0" w.c. to 11.8" w.c.* |
| Black | 6.0" w.c. to 14" w.c.* |
| Yellow | 9.8" w.c. to 27.5" w.c. |
| Violet | 23.6" w.c. to 59" w.c. (0.85 to 2.13 PSI) |
| Orange | 55" w.c. to 118" w.c. (2 to 4.26 PSIG) |
| * CSA outlet pressure certified | |

Propane Gas Capacities

BTU's per Hour(1.50 Specific Gravity)



| Model | Set Point | Operating Inlet Pressure | | |
|------------------------------|-----------|--------------------------|------------|------------|
| | | 1 PSI | 2 PSI | 5 PSI |
| F30051DC ½" | 8" W.C. | 1,000,125 | 1,461,600 | 1,461,600 |
| | 11" W.C. | 989,100 | 1,461,600 | 1,461,600 |
| | 14" W.C. | 878,850 | 1,461,600 | 1,461,600 |
| F30052DC ¾" | 8" W.C. | 1,335,600 | 1,756,125 | 1,756,125 |
| | 11" W.C. | 1,225,350 | 1,756,125 | 1,756,125 |
| | 14" W.C. | 1,099,350 | 1,756,125 | 1,756,125 |
| F30053DC 1" | 8" W.C. | 1,667,925 | 2,364,075 | 2,364,075 |
| | 11" W.C. | 1,534,050 | 2,364,075 | 2,364,075 |
| | 14" W.C. | 1,426,950 | 2,364,075 | 2,364,075 |
| F30150DC ½" High Capacity | 8" W.C. | 2,669,625 | 3,472,875 | 3,472,875 |
| | 11" W.C. | 2,316,825 | 3,472,875 | 3,472,875 |
| | 14" W.C. | 2,086,875 | 3,472,875 | 3,472,875 |
| F30151 ¾" High Capacity | 8" W.C. | 3,282,300 | 4,386,375 | 4,386,375 |
| | 11" W.C. | 2,926,350 | 4,386,375 | 4,386,375 |
| | 14" W.C. | 2,636,550 | 4,386,375 | 4,386,375 |
| F30152DC 1" High Capacity | 8" W.C. | 3,838,275 | 5,210,100 | 5,210,100 |
| | 11" W.C. | 3,474,450 | 5,210,100 | 5,210,100 |
| | 14" W.C. | 3,131,100 | 5,210,100 | 5,210,100 |
| F30153DC 1¼" | 8" W.C. | 8,342,775 | 12,428,325 | 12,428,325 |
| | 11" W.C. | 8,290,800 | 12,428,325 | 12,428,325 |
| | 14" W.C. | 7,470,225 | 12,428,325 | 12,428,325 |
| F30154DC 1½" | 8" W.C. | 8,898,750 | 12,978,000 | 12,978,000 |
| | 11" W.C. | 8,656,200 | 12,978,000 | 12,978,000 |
| | 14" W.C. | 7,799,400 | 12,978,000 | 12,978,000 |
| F30155DC 2" | 8" W.C. | 31,416,525 | 23,762,025 | 23,762,025 |
| | 11" W.C. | 15,850,800 | 23,762,025 | 23,762,025 |
| | 14" W.C. | 14,282,100 | 23,762,025 | 23,762,025 |
| F31157F 3" | 8" W.C. | 26,475,750 | 36,543,150 | 36,543,150 |
| | 11" W.C. | 24,751,125 | 36,543,150 | 36,543,150 |
| | 14" W.C. | 21,684,600 | 36,543,150 | 36,543,150 |
| F31158F 4" | 8" W.C. | 46,386,900 | 63,963,900 | 63,963,900 |
| | 11" W.C. | 43,383,375 | 63,963,900 | 63,963,900 |
| | 14" W.C. | 37,948,050 | 63,963,900 | 63,963,900 |

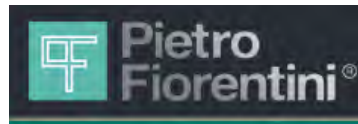
Standard Outlet Spring Range

| | |
|---------------------------------|--|
| Green | 2.0" w.c. to 5.1" w.c.* |
| Red | 2.7" w.c. to 7.9" w.c.* |
| White | 4.0" w.c. to 11.8" w.c.* |
| Black | 6.0" w.c. to 14" w.c.* |
| Yellow | 9.8" w.c. to 27.5" w.c. |
| Violet | 23.6" w.c. to 59" w.c. (0.85 to 2.13 PSI) |
| Orange | 55" w.c. to 118" w.c. (2 to 4.26 PSIG) |
| * CSA outlet pressure certified | |

NOTES



Natural and Propane Gas Regulation, Measurement and Controls



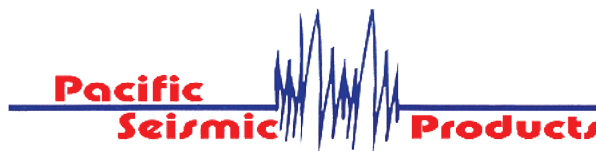
CSA 6.22a -2005 and ANSI Z21.80a Approved
Ventless Indoor Applications



Regulators for Natural & Propane Gas
High Pressure Regulators up to 5000 PSI
Filter Regulators & Gauges

MILLIKEN

Lubricated two way & three way Plug Valves
CSA/CGA Approved



Seismic "Earthquake" Valves
available from 3/4" to 8"

METERS

Diaphragm, Rotary, Turbine,
Flange Kits and Accessories

Manufacturer standard warranty applies. For a copy please contact us.